

AIR PERFORMANCE TECH

48501 Warm Springs Blvd. # 117
 Fremont, CA 94539
 Ph: (510) 440-3078
 Fax: (510) 440-3079

AP9225

92 x 25mm Ball Bearing DC Fan

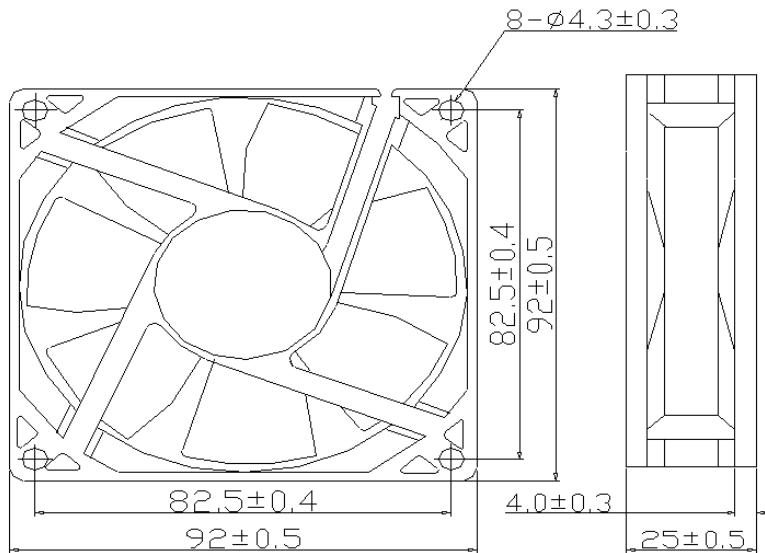
Specifications:

DIMENSIONS	92 X 25 MM
BEARING SYSTEM	2 BALL
LEAD WIRES	UL 1007 AWG # 24/26 OR EQUIV.
OPERATING TEMPERATURE	-10 TO +70 C
STORAGE TEMPERATURE	-40 TO +70 C
MATERIAL	PBT UL 94V-0
WEIGHT	3.13 OZ. (89G)
LIFE EXPECTANCY	50,000 HOURS CONTINUOUS OPERATION
SAFETY APPROVALS	UL, CUL, TUV

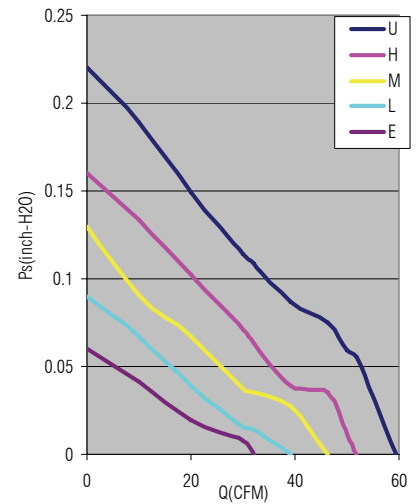


Model	Voltage (VDC)	Maximum Rated Current (Amps)	Maximum Input Power (Watts)	Speed RPM	Airflow CFM	Pressure H ₂ O	Noise DBA
AP059225BL	5V	.23	1.15	2200	39.2	.09	27.5
AP129225BU	12V	.4	4.8	3400	59.5	.22	39.1
AP129225BH	12V	.2	2.4	2900	51.8	.16	34.6
AP129225BM	12V	.15	1.8	2600	46.4	.13	32.3
AP129225BL	12V	.13	1.56	2200	39.2	.09	27.5
AP129225BE	12V	.1	1.2	1800	32.1	.06	24.7
AP249225BU	24V	.21	5.04	3400	59.5	.22	39.1
AP249225BH	24V	.13	3.12	2900	51.8	.16	34.6
AP249225BM	24V	.11	2.64	2600	46.4	.13	32.3
AP249225BL	24V	.09	2.16	2200	39.2	.09	27.5

Drawing:



Performance:



"the heart of a champion"

www.airperformancetech.com