

AIR PERFORMANCE TECH

48501 Warm Springs Blvd. # 117
 Fremont, CA 94539
 Ph: (510) 440-3078
 Fax: (510) 440-3079

AP8025

80 x 25mm Ball Bearing DC Fan

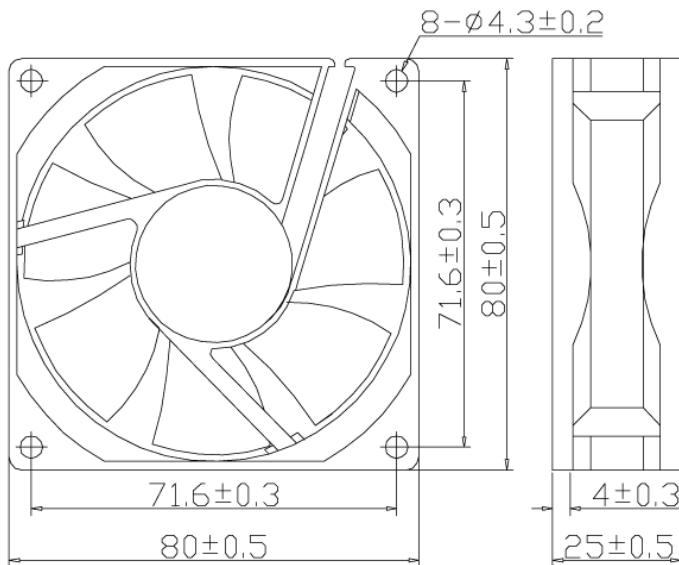
Specifications:

DIMENSIONS	80 X 25 MM
BEARING SYSTEM	2 BALL
LEAD WIRES	UL 1007 AWG # 24/26 OR EQUIV.
OPERATING TEMPERATURE	-10 TO +70 C
STORAGE TEMPERATURE	-40 TO +70 C
MATERIAL	PBT UL 94V-0
WEIGHT	2.46 OZ. (70G)
LIFE EXPECTANCY	50,000 HOURS CONTINUOUS OPERATION
SAFETY APPROVALS	UL, CUL, TUV

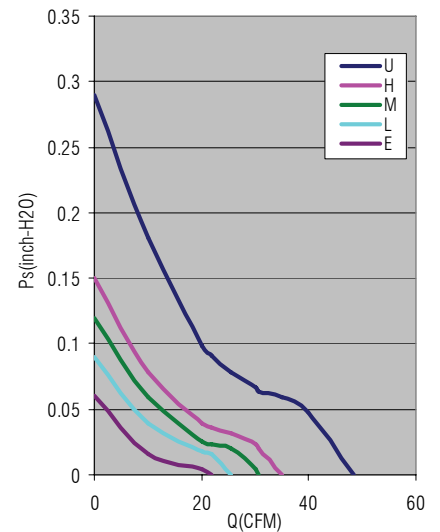


Model	Voltage (VDC)	Maximum Rated Current (Amps)	Maximum Input Power (Watts)	Speed RPM	Airflow CFM	Pressure H ₂ O	Noise DBA
AP058025BM	5V	.23	1.15	2600	30.73	.12	30.7
AP128025BU	12V	.13	1.56	4000	48.49	.29	40.9
AP128025BH	12V	.13	1.56	2900	35.15	.15	34.5
AP128025BM	12V	.11	1.32	2600	30.73	.12	30.7
AP128025BL	12V	.08	.96	2200	25.43	.09	27.2
AP128025BE	12V	.06	.72	1800	21.82	.06	24.3
AP248025BU	24V	.21	5.04	4000	48.49	.29	40.9
AP248025BH	24V	.12	2.88	2900	35.15	.15	34.5
AP248025BM	24V	0.15	3.6	2600	30.73	0.12	30.7
AP248025BL	24V	.09	2.16	2200	25.43	.09	27.2

Drawing:



Performance:



"the heart of a champion"

www.airperformancetech.com