

## AIR PERFORMANCE TECH

48501 Warm Springs Blvd. # 117  
 Fremont, CA 94539  
 Ph: (510) 440-3078  
 Fax: (510) 440-3079

# AP8015

80 x 15mm Ball Bearing DC Fan

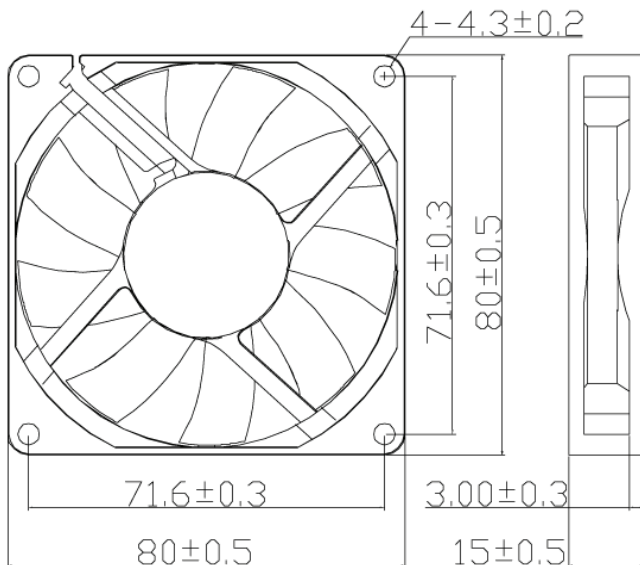
### Specifications:

<b>DIMENSIONS</b>	80 X 15 MM
<b>BEARING SYSTEM</b>	2 BALL
<b>LEAD WIRES</b>	UL 1007 AWG # 24/26 OR EQUIV.
<b>OPERATING TEMPERATURE</b>	-10 TO +70 C
<b>STORAGE TEMPERATURE</b>	-40 TO +70 C
<b>MATERIAL</b>	PBT UL 94V-0
<b>WEIGHT</b>	1.86 OZ. (53G)
<b>LIFE EXPECTANCY</b>	50,000 HOURS CONTINUOUS OPERATION
<b>SAFETY APPROVALS</b>	UL, CUL, TUV

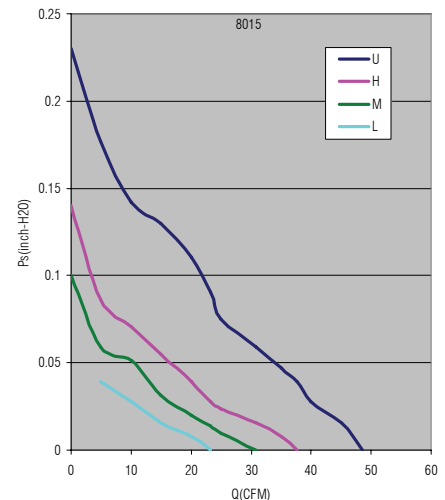


Model	Voltage (VDC)	Maximum Rated Current (Amps)	Maximum Input Power (Watts)	Speed RPM	Airflow CFM	Pressure H <sub>2</sub> O	Noise DBA
AP128015BU	12V	.34	4.08	4000	48.6	.23	40.2
AP128015BH	12V	.19	2.28	3000	37.61	.14	32.1
AP128015BM	12V	.15	1.8	2500	30.82	.1	27.3
AP128015BL	12V	.1	1.2	2000	23.14	.66	23.5
AP248015BU	24V	.22	5.28	4000	48.6	.23	40.2
AP248015BH	24V	.18	4.32	3000	37.61	.14	32.1
AP248015BM	24V	.07	1.68	2500	30.82	.1	27.3
AP248015BL	24V	.06	1.44	2000	23.14	.66	23.5
AP488015BH	48V	.09	4.32	3000	37.6	.14	32.1

### Drawing:



### Performance:



"the heart of a champion"

[www.airperformancetech.com](http://www.airperformancetech.com)