

AIR PERFORMANCE TECH

48501 Warm Springs Blvd. # 117
 Fremont, CA 94539
 Ph: (510) 440-3078
 Fax: (510) 440-3079

AP6025

60 x 25mm Ball Bearing DC Fan

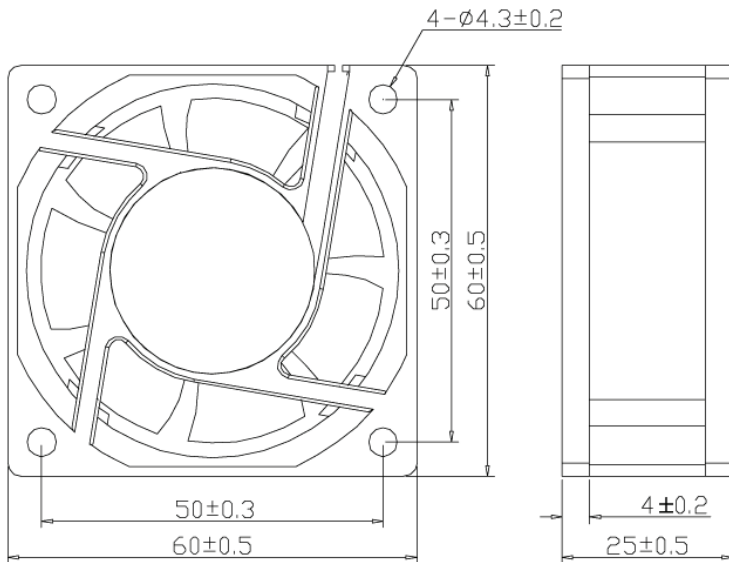
Specifications:

DIMENSIONS	60 X 25 MM
BEARING SYSTEM	2 BALL
LEAD WIRES	UL 1007 AWG # 26 OR EQUIV.
OPERATING TEMPERATURE	-10 TO +70 C
STORAGE TEMPERATURE	-40 TO +70 C
MATERIAL	PBT UL 94V-0
WEIGHT	2.22 OZ. (63G)
LIFE EXPECTANCY	50,000 HOURS CONTINUOUS OPERATION
SAFETY APPROVALS	UL, CUL, TUV

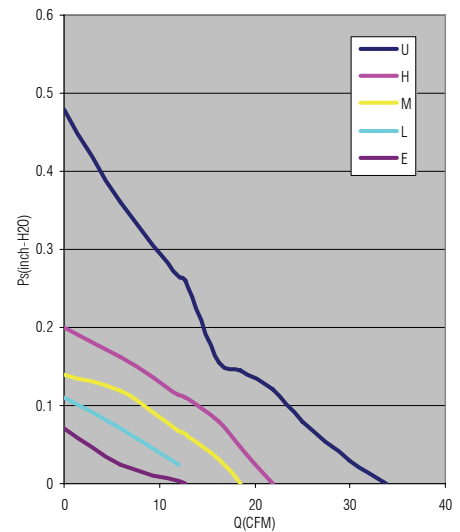


Model	Voltage (VDC)	Maximum Rated Current (Amps)	Maximum Input Power (Watts)	Speed RPM	Airflow CFM	Pressure H ₂ O	Noise DBA
AP126025BU	12V	.37	4.44	6800	33.81	.54	45.7
AP126025BH	12V	.19	2.28	4400	21.88	.2	30.5
AP126025BM	12V	.12	1.44	3700	18.54	.14	26.8
AP126025BL	12V	.07	.84	3200	16.31	.11	23.8
AP126025BE	12V	.08	.96	2500	12.74	.07	21.8
AP246025BU	24V	.22	5.28	6800	33.81	.54	45.7
AP246025BH	24V	.13	3.12	4400	21.88	.2	30.5
AP246025BM	24V	.12	2.88	3700	18.54	.14	26.8
AP246025BL	24V	.1	2.4	3200	16.31	.11	23.8
AP246025BE	24V	0.12	2.8	2500	11.90	0.07	20.2

Drawing:



Performance:



"the heart of a champion"

www.airperformancetech.com