

AIR PERFORMANCE TECH

48501 Warm Springs Blvd. # 117
 Fremont, CA 94539
 Ph: (510) 440-3078
 Fax: (510) 440-3079

AP6015

60 x 15mm Ball Bearing DC Fan

Specifications:

DIMENSIONS	60 X 15 MM
BEARING SYSTEM	2 BALL
LEAD WIRES	UL 1007 AWG # 26 OR EQUIV.
OPERATING TEMPERATURE	-10 TO +70 C
STORAGE TEMPERATURE	-40 TO +70 C
MATERIAL	PBT UL 94V-0
WEIGHT	1.41 OZ. (40G)
LIFE EXPECTANCY	50,000 HOURS CONTINUOUS OPERATION
SAFETY APPROVALS	UL, CUL, TUV

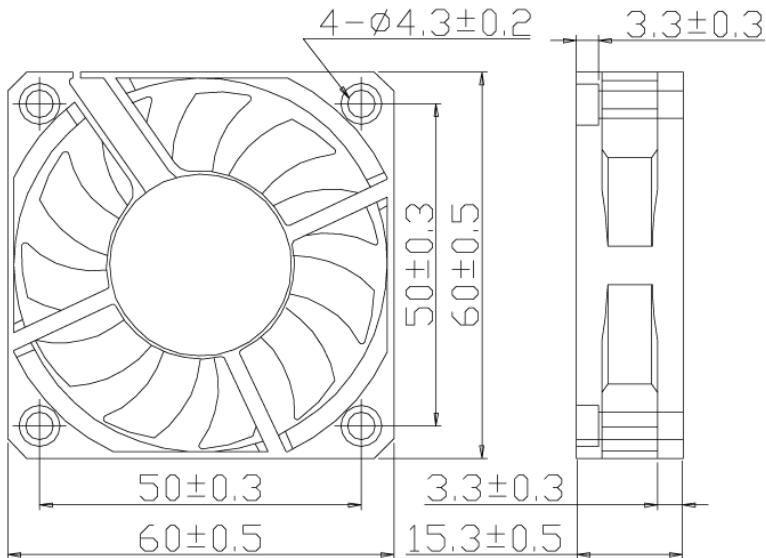


Products meet all applicable and current RoHS and WEEE standards.

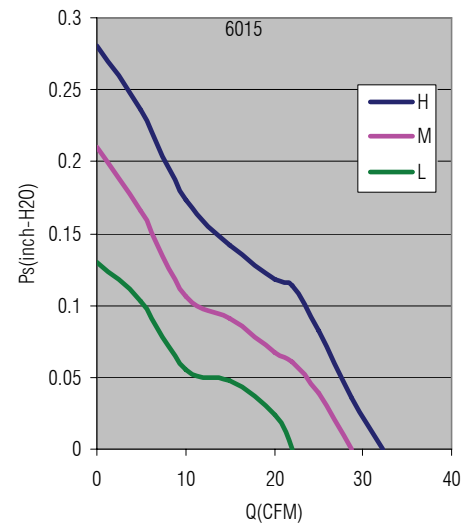


Model	Voltage (VDC)	Maximum Rated Current (Amps)	Maximum Input Power (Watts)	Speed RPM	Airflow CFM	Pressure H ₂ O	Noise DBA
AP126015BH	12V	.34	4.08	6000	32.24	.28	41.4
AP126015BM	12V	.15	1.8	5000	28.77	.21	35.9
AP126015BL	12V	.1	1.2	4000	22.04	.13	30.7

Drawing:



Performance:



"the heart of a champion"

www.airperformancetech.com