

AIR PERFORMANCE TECH

48501 Warm Springs Blvd. # 117
 Fremont, CA 94539
 Ph: (510) 440-3078
 Fax: (510) 440-3079

AP6010

60 x 10mm Ball Bearing DC Fan

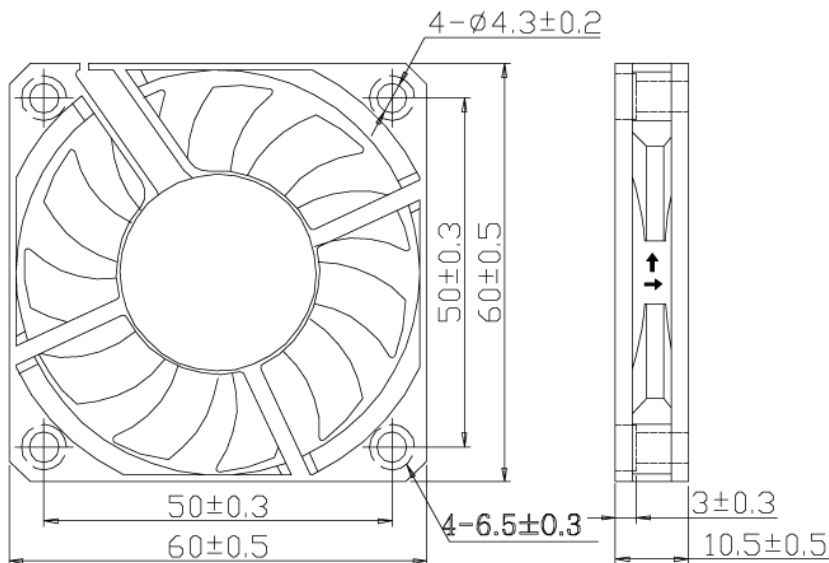
Specifications:

DIMENSIONS	60 X 10 MM
BEARING SYSTEM	2 BALL
LEAD WIRES	UL 1007 AWG # 26 OR EQUIV.
OPERATING TEMPERATURE	-10 TO +70 C
STORAGE TEMPERATURE	-40 TO +70 C
MATERIAL	PBT UL 94V-0
WEIGHT	1.05 OZ. (30G)
LIFE EXPECTANCY	50,000 HOURS CONTINUOUS OPERATION
SAFETY APPROVALS	UL, CUL, TUV

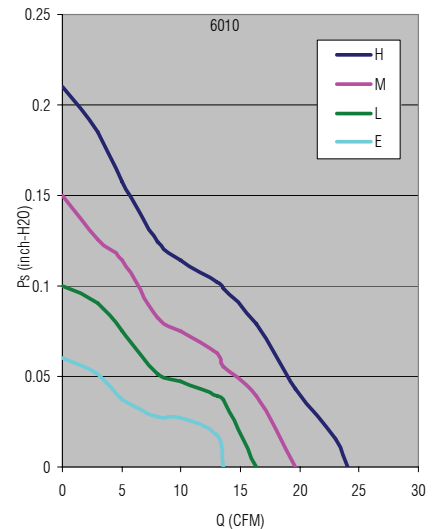


Model	Voltage (VDC)	Maximum Rated Current (Amps)	Maximum Input Power (Watts)	Speed RPM	Airflow CFM	Pressure H ₂ O	Noise DBA
AP056010BL	5V	.16	.8	3700	16.3	.1	28.2
AP056010BE	5V	.15	.75	3000	13.6	.06	25.8
AP126010BH	12V	.24	2.88	5100	24	.21	37.9
AP126010BM	12V	.12	1.44	4500	20	.15	34.3
AP126010BL	12V	.09	1.08	3700	16.3	.1	28.2
AP246010BH	24V	.13	3.12	5100	24	.21	37.9
AP246010BM	24V	.11	2.64	4500	20	.15	34.3
AP246010BL	24V	0.10	2.4	3700	16.3	0.10	28.2

Drawing:



Performance:



"the heart of a champion"

www.airperformancetech.com