

AIR PERFORMANCE TECH

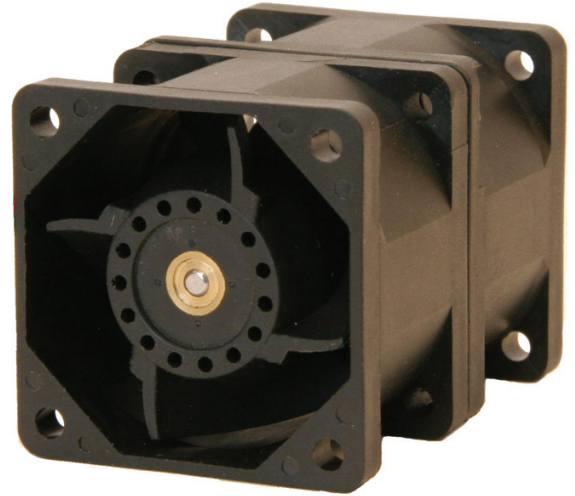
48501 Warm Springs Blvd. # 117
 Fremont, CA 94539
 Ph: (510) 440-3078
 Fax: (510) 440-3079

AP4056

40 x 56mm Ball Bearing DC Fan

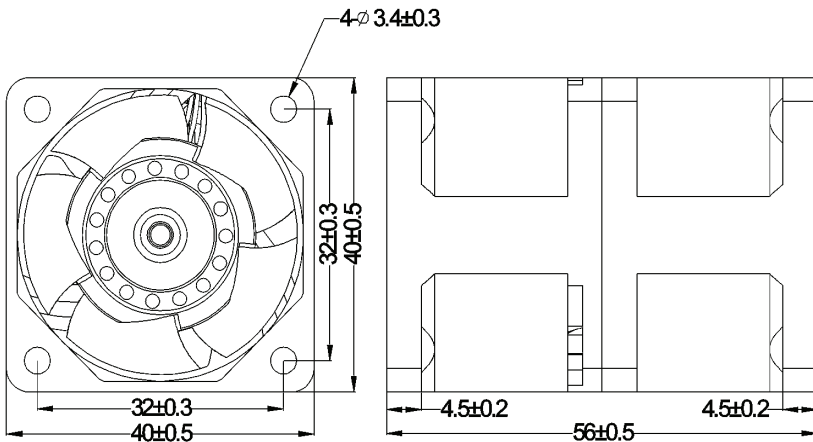
Specifications:

DIMENSIONS	40 X 56 MM
BEARING SYSTEM	2 BALL
LEAD WIRES	UL 1007 AWG # 26 OR EQUIV.
OPERATING TEMPERATURE	-10 TO +70 C
STORAGE TEMPERATURE	-40 TO +70 C
MATERIAL	PBT UL 94V-0
WEIGHT	3.15 OZ. (90G)
LIFE EXPECTANCY	50,000 HOURS CONTINUOUS OPERATION
SAFETY APPROVALS	UL, CUL, TUV, CE MARK

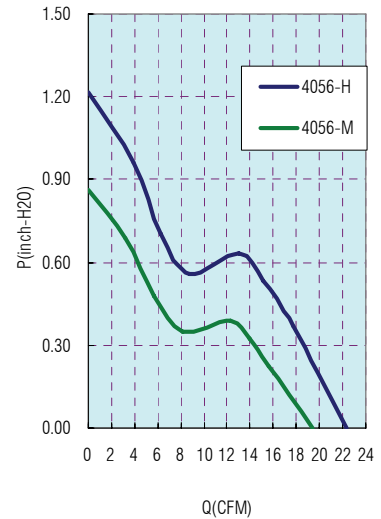


Model	Voltage (VDC)	Maximum Rated Current (Amps)	Maximum Input Power (Watts)	Speed RPM	Airflow CFM	Pressure H ₂ O	Noise DBA
AP124056BM	12V	0.88	10.56	11,000	18.0	0.781"	53.6
AP124056BH	12V	1.15	13.80	13,000	21.0	1.040"	56.8
AP124056BU	12V	1.30	15.60	15,000	22.3	1.430"	59.5

Drawing:



Performance:



"the heart of a champion"

www.airperformancetech.com