

# AIR PERFORMANCE TECH

# AP4028

48501 Warm Springs Blvd. # 117  
 Fremont, CA 94539  
 Ph: (510) 440-3078  
 Fax: (510) 440-3079

40 x 28mm Ball Bearing DC Fan

## Specifications:

<b>DIMENSIONS</b>	40 X 28 MM
<b>BEARING SYSTEM</b>	2 BALL
<b>LEAD WIRES</b>	UL 1007 AWG # 26 OR EQUIV.
<b>OPERATING TEMPERATURE</b>	-10 TO +70 C
<b>STORAGE TEMPERATURE</b>	-40 TO + 70 C
<b>MATERIAL</b>	PBT UL 94V-0
<b>WEIGHT</b>	1.33 OZ (.38G)
<b>LIFE EXPECTANCY</b>	50,000 HOURS CONTINUOUS OPERATION
<b>SAFETY APPROVALS</b>	UL, CUL, TUV, CE MARK

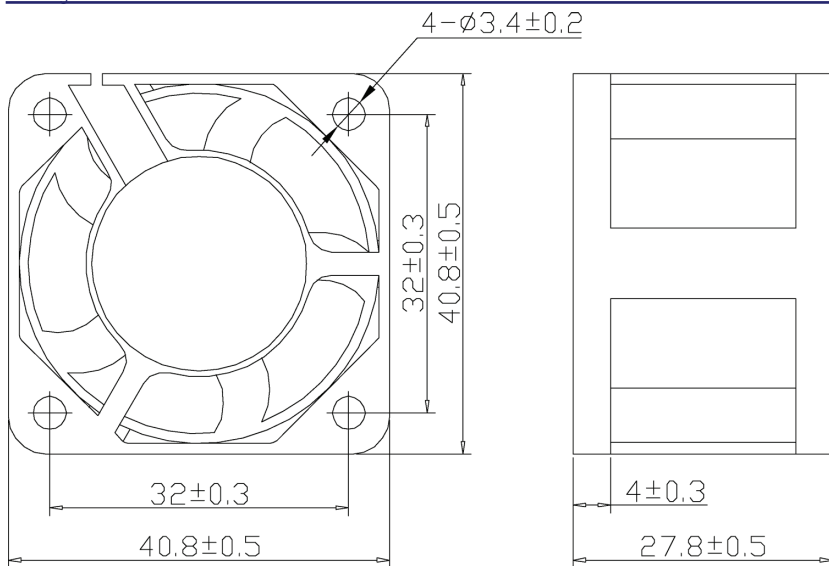


Products meet all applicable and current RoHS and WEEE standards.



Model	Voltage (VDC)	Maximum Rated Current (Amps)	Maximum Input Power (Watts)	Speed RPM	Airflow CFM	Pressure H <sub>2</sub> O	Noise DBA
AP124028BU	12	0.70	8.4	13000	24.0	1.06	55.7
AP124028BH	12	0.40	4.8	11000	21.4	0.81	51.9
AP124028BM	12	0.18	2.16	8000	11.0	0.33	34.3
AP124028BL	12	0.14	1.68	6700	9.60	0.25	29.6

## Drawing:



"the heart of a champion"

[www.airperformancetech.com](http://www.airperformancetech.com)