

AIR PERFORMANCE TECH

48501 Warm Springs Blvd. # 117
 Fremont, CA 94539
 Ph: (510) 440-3078
 Fax: (510) 440-3079

AP4020

40 x 20mm Ball Bearing DC Fan

Specifications:

DIMENSIONS	40 X 20 MM
BEARING SYSTEM	2 BALL
LEAD WIRES	UL 1007 AWG # 26 OR EQUIV.
OPERATING TEMPERATURE	-10 TO +70 C
STORAGE TEMPERATURE	-40 TO +70 C
MATERIAL	PBT UL 94V-0
WEIGHT	.84 OZ. (24G)
LIFE EXPECTANCY	50,000 HOURS CONTINUOUS OPERATION
SAFETY APPROVALS	UL, CUL, TUV

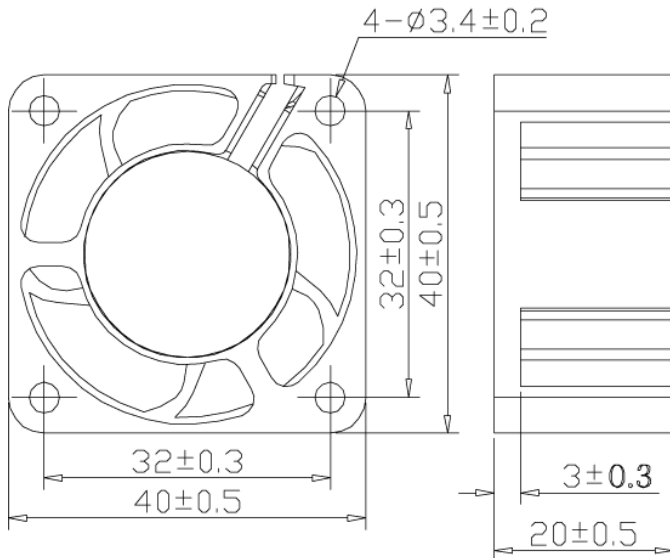


Products meet all applicable and current RoHS and WEEE standards.

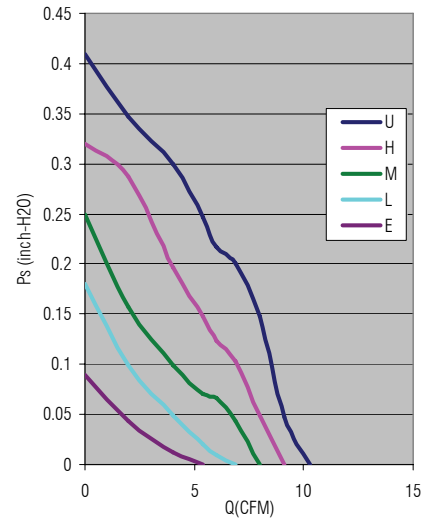


Model	Voltage (VDC)	Maximum Rated Current (Amps)	Maximum Input Power (Watts)	Speed RPM	Airflow CFM	Pressure H ₂ O	Noise DBA
AP054020BH	5V	.16	.8	8000	9.14	.32	30
AP054020BM	5V	.18	.9	7000	7.99	.25	28.4
AP054020BL	5V	.13	.65	6000	6.85	.18	25.4
AP124020BU	12V	.15	1.8	9000	10.28	.41	33.7
AP124020BH	12V	.15	1.8	8000	9.14	.32	30
AP124020BM	12V	.08	.96	7000	7.99	.25	28.4
AP124020BL	12V	.14	1.68	6000	6.85	.18	25.4
AP124020BE	12V	.08	.96	4500	5.4	.09	22.2
AP244020BU	24V	.09	2.16	9000	10.28	.41	33.7
AP244020BH	24V	.05	1.2	8000	9.14	.32	30
AP244020BM	24V	.06	1.44	7000	7.99	.25	28.4

Drawing:



Performance:



"the heart of a champion"

www.airperformancetech.com