

AIR PERFORMANCE TECH

48501 Warm Springs Blvd. # 117
 Fremont, CA 94539
 Ph: (510) 440-3078
 Fax: (510) 440-3079

AP4010

40 x 10mm Ball Bearing DC Fan

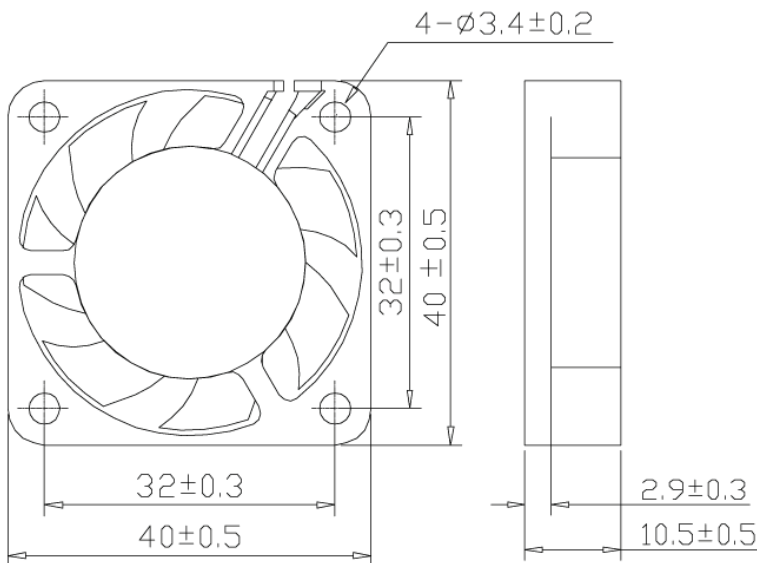
Specifications:

DIMENSIONS	40 X 10 MM
BEARING SYSTEM	2 BALL
LEAD WIRES	UL 1007 AWG # 26/28 OR EQUIV
OPERATING TEMPERATURE	-10 TO +70 C
STORAGE TEMPERATURE	-40 TO +70 C
MATERIAL	PBT UL 94V-0
WEIGHT	.59 OZ. (17G)
LIFE EXPECTANCY	50,000 HOURS CONTINUOUS OPERATION
SAFETY APPROVALS	UL, CUL, TUV

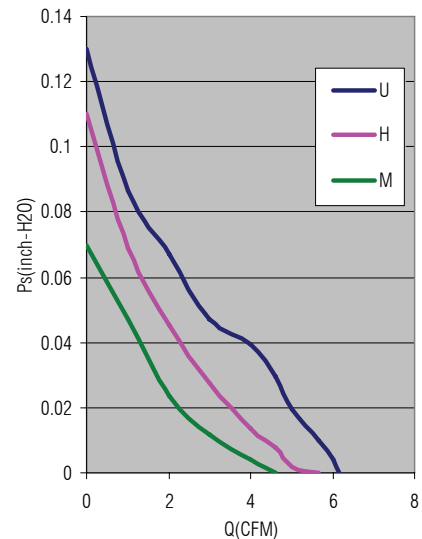


Model	Voltage (VDC)	Maximum Rated Current (Amps)	Maximum Input Power (Watts)	Speed RPM	Airflow CFM	Pressure H ₂ O	Noise DBA
AP054010BU	5V	.11	.55	6000	6.17	.13	27.8
AP054010BH	5V	.18	.9	5500	5.65	.11	26.1
AP054010BM	5V	.08	.4	4500	4.62	.07	23.9
AP124010BU	12V	.08	.96	6000	6.17	.13	27.8
AP124010BH	12V	.07	.84	5500	5.65	.11	26.1
AP124010BM	12V	.08	.96	4500	4.62	.07	23.9
AP244010BU	24V	0.14	3.4	6000	6.17	0.13	27.8
AP244010BH	24V	.05	1.2	5500	5.65	.11	26.1
AP244010BM	24V	.04	.96	4500	4.62	.07	23.9

Drawing:



Performance:



"the heart of a champion"

www.airperformancetech.com