

AIR PERFORMANCE TECH

48501 Warm Springs Blvd. # 117
 Fremont, CA 94539
 Ph: (510) 440-3078
 Fax: (510) 440-3079

AP3010

30 x 10mm Ball Bearing DC Fan

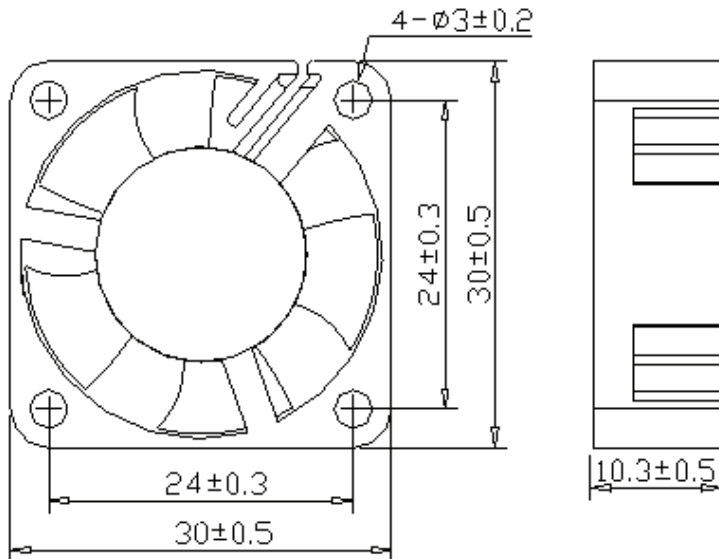
Specifications:

DIMENSIONS	30 X 10 MM
BEARING SYSTEM	2 BALL
LEAD WIRES	UL 1061 AWG # 28 OR EQUIV.
OPERATING TEMPERATURE	-10 TO +70 C
STORAGE TEMPERATURE	-40 TO +70 C
MATERIAL	PBT UL 94V-0
WEIGHT	0.26 OZ. (7.5G)
LIFE EXPECTANCY	50,000 HOURS CONTINUOUS OPERATION
SAFETY APPROVALS	UL, CUL, TUV

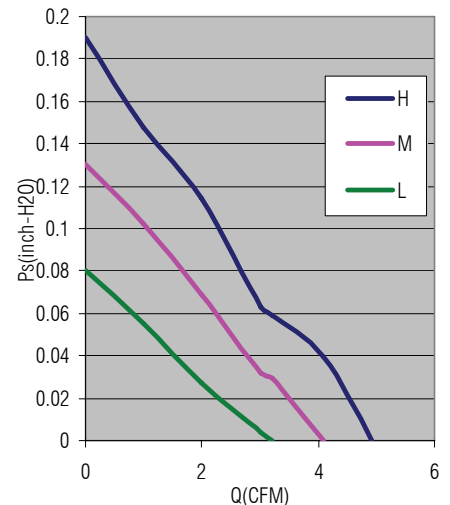


Model	Voltage (VDC)	Maximum Rated Current (Amps)	Maximum Input Power (Watts)	Speed RPM	Airflow CFM	Pressure H ₂ O	Noise DBA
AP053010BH	5V	.19	.95	11000	4.91	.19	23.2
AP053010BM	5V	.16	.8	9000	4.1	.13	22.5
AP053010BL	5V	.09	.45	7000	3.2	.08	20.5
AP123010BH	12V	0.8	9.6	11000	4.91	0.19	23.2
AP123010BM	12V	.07	.84	9000	4.1	.13	22.5
AP123010BL	12V	.06	1.44	7000	3.2	.08	20.5

Drawing:



Performance:



"the heart of a champion"

www.airperformancetech.com