

AIR PERFORMANCE TECH

48501 Warm Springs Blvd. # 117
 Fremont, CA 94539
 Ph: (510) 440-3078
 Fax: (510) 440-3079

AP2510

25 x 10mm Ball Bearing DC Fan

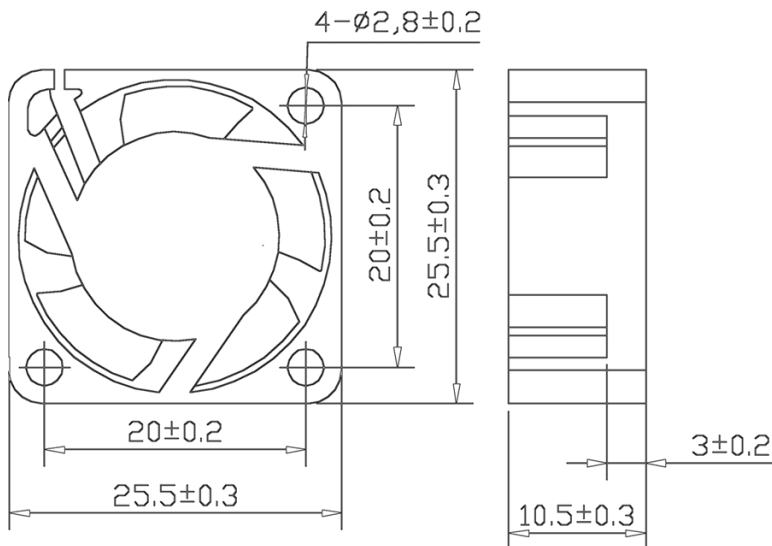
Specifications:

DIMENSIONS	25 X 10 MM
BEARING SYSTEM	2 BALL
LEAD WIRES	UL 1061 AWG # 28 OR EQUIV.
OPERATING TEMPERATURE	-10 TO +70 C
STORAGE TEMPERATURE	-40 TO +70 C
MATERIAL	PBT UL 94V-0
WEIGHT	.21 OZ. (6G)
LIFE EXPECTANCY	50,000 HOURS CONTINUOUS OPERATION
SAFETY APPROVALS	UL, CUL, TUV

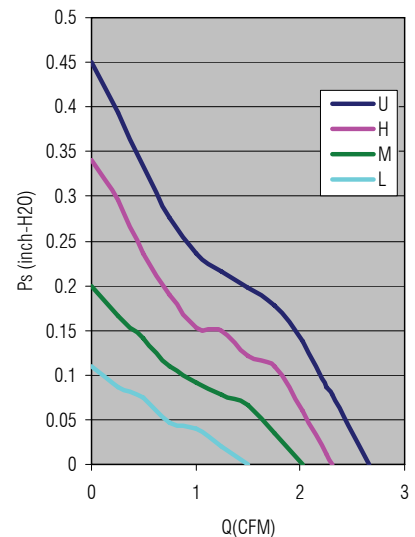


Model	Voltage (VDC)	Maximum Rated Current (Amps)	Maximum Input Power (Watts)	Speed RPM	Airflow CFM	Pressure H ₂ O	Noise DBA
AP052510BU	5V	.18	.9	15000	2.66	.45	30.2
AP052510BH	5V	.16	.8	13000	2.31	.34	27
AP052510BM	5V	.09	.45	10000	2.02	.2	23.3
AP052510BL	5V	.06	.3	7000	1.5	.11	20.8
AP122510BU	12V	.1	1.2	15000	2.66	.45	30.2
AP122510BH	12V	.07	.84	13000	2.31	.34	27
AP122510BM	12V	.06	.72	10000	2.02	.2	23.3
AP122510BL	12V	.05	.6	7000	1.5	.11	20.8

Drawing:



Performance:



"the heart of a champion"

www.airperformancetech.com